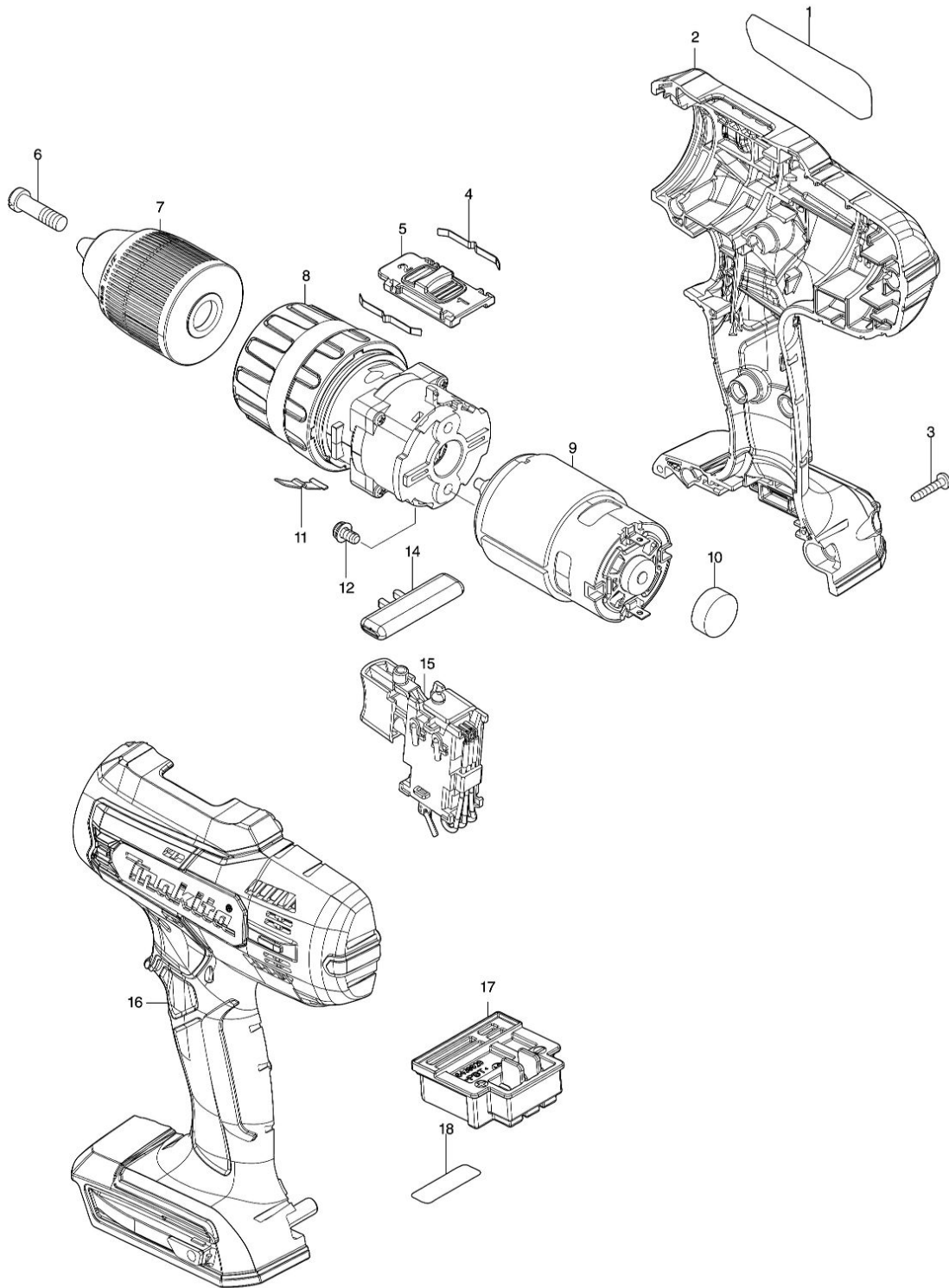


Partdrawing for HP488D002 - Klopboor-/schroefmachine



Model No.HP488D CORDLESS HAMMER DRIVER DRILL



| Nr. | Part nr. | Name |
|------------|-----------------|----------------------------|
| 001 | 858A41-4 | Naamplaat HP488D |
| 002 | 183R93-1 | Motorhuis DF488/HP488 |
| 002C10 | 252126-6 | Borgmoer M4X7Mm Mt070 |
| 003 | 266429-2 | Tapschroef 3X16 P |
| 004 | 232220-0 | Bladveer 6349D |
| 005 | 127754-5 | Toerenhendel DF488D |
| 005C10 | 233438-6 | Drukveer 4 Bdf440 |
| 006 | 251468-5 | Boorkopschroef M6X22Mm Li |
| 007 | 766004-9 | Boorkop snelspan 1,5-13 mm |
| 007-1 | 763260-2 | Boorkop SNSP DF488D |
| 008 | 127732-5 | Tanwielset DF488D |
| 009 | 629937-8 | Motor 18,0V Bdf/Bhp453 A |
| 010 | 421940-3 | Kap Dbp181D |
| 011 | 232182-2 | Bladveer 6204Dwa |
| 012 | 911108-4 | Schroef M4X8 P |
| 014 | 452399-3 | L/R Schakelknop Mt070 |
| 015 | 638862-2 | Schakelaar Df457D |
| 015C10 | 688164-6 | Lijn Filter Cl102D |
| 015C20 | 688165-4 | Lijn Filter Bub360/Bdf453 |
| 016 | 183R93-1 | Motorhuis DF488/HP488 |
| 016C10 | 252126-6 | Borgmoer M4X7Mm Mt070 |
| 017 | 643862-9 | Aansluitunit Df457 |
| 018 | 858A45-6 | Label serienr HP488D |